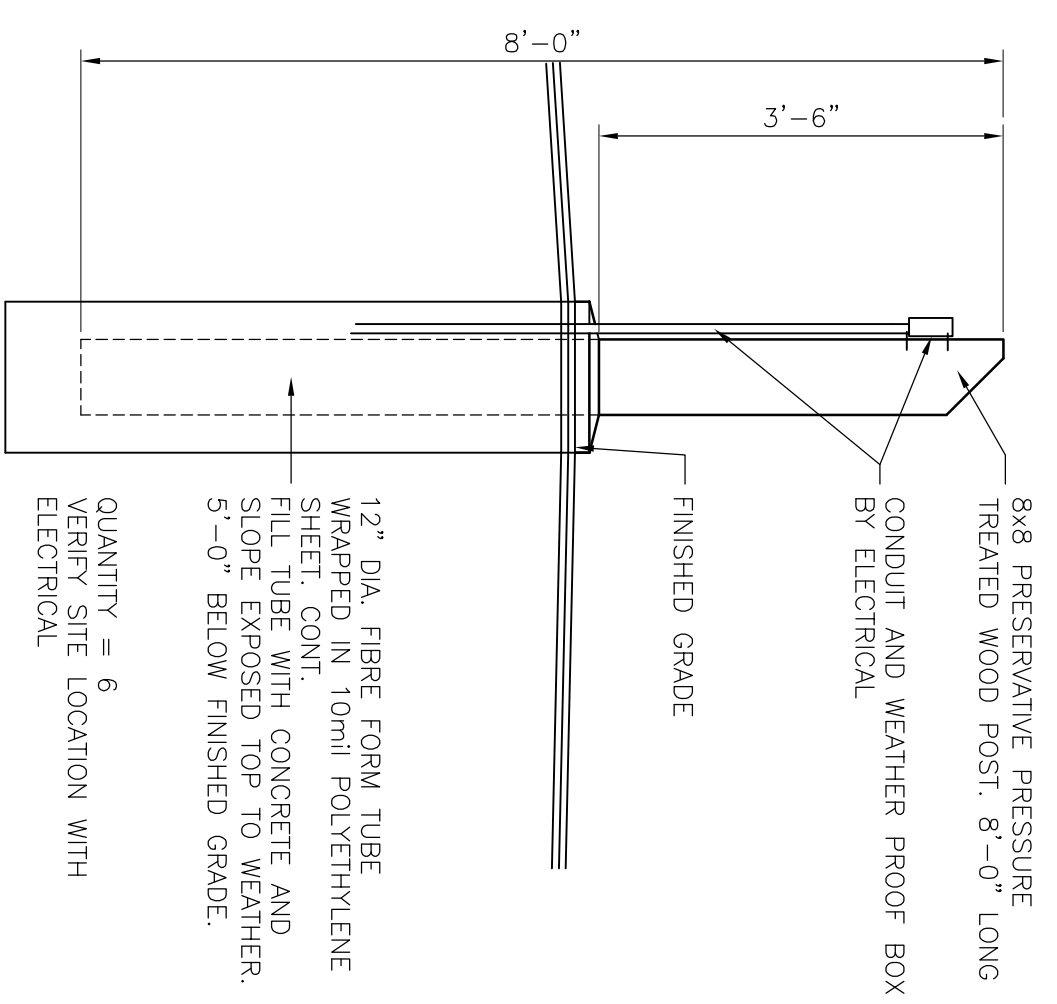
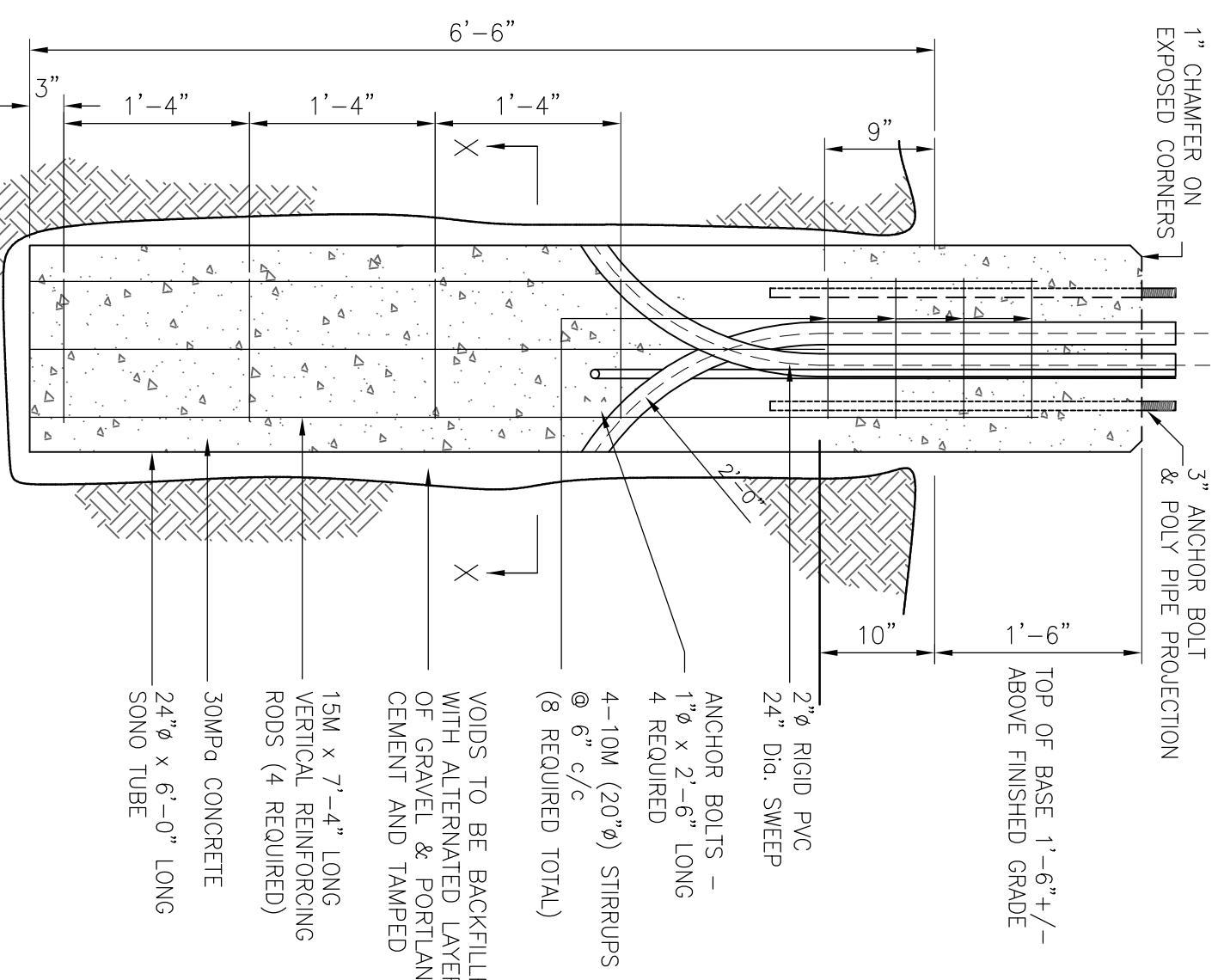


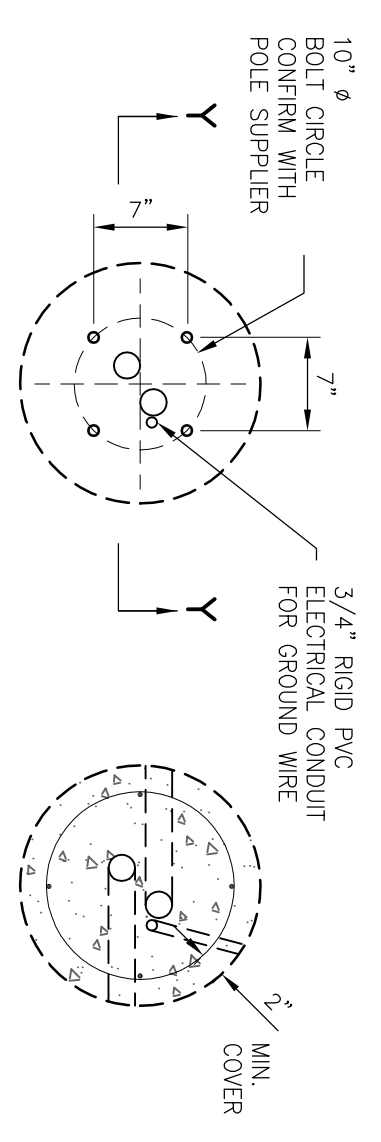
SITE PLAN
SCALE: N.T.S.



CAR PLUG-IN POLE
SCALE: N.T.S.



POLE BASE SECTION Y-Y
SCALE: N.T.S.



POLE BASE PLAN
SCALE: N.T.S.

SECTION X-X
SCALE: N.T.S.

5	01/12/2008	REVISED COMMUNICATIONS TOWER ADDED
4	10/08/2008	REVISED GENERATOR BUILDING LOCATION
3	11/08/2008	REVISED GENERATOR BUILDING LOCATION
2	24/08/2008	REVISED GENERATOR BUILDING LOCATION
1	31/03/2008	ISSUED FOR CONSTRUCTION
0	07/02/2008	ISSUED FOR TENDER

No.	Date	Description
Issue		

Notes:
The contractor and all sub-contractors shall verify all dimensions, details and specifications on site and report any discrepancies in drawings and specifications to the design professional. Drawings and specifications are not to be scaled before processing with the work.
The contractor and all sub-contractors, before proceeding with the work, must submit all necessary samples and shop drawings to Cecconi Simone Inc. for review.
All concepts, designs, details, drawings and specifications are the property of Cecconi Simone Inc. and are not to be used on other projects or for any other purpose without the written permission of Cecconi Simone Inc.

THE ORIGINAL ISSUE
REV.3 WAS STAMPED,
DATED AND SIGNED
BY B.W.S.
ON 12/08/08
D/M/Y

Key Plan:

SITE PLAN

Drawing Name: **5 BAY ROAD KENORA ONTARIO**

Project No.: **071043**

Scale: **AS NOTED**

Date: **SEPTEMBER 2008**

Drawing No.: **S00**

KGS GROUP CONSULTING ENGINEERS & PROJECT MANAGERS
WINNIPEG (204) 986-1209
THUNDER BAY (807) 623-2195
PROJECT # 07-881-01

Project: **MOH-EHS CENTRAL AMBUANCE COMMUNICATIONS CENTRE KENORA**